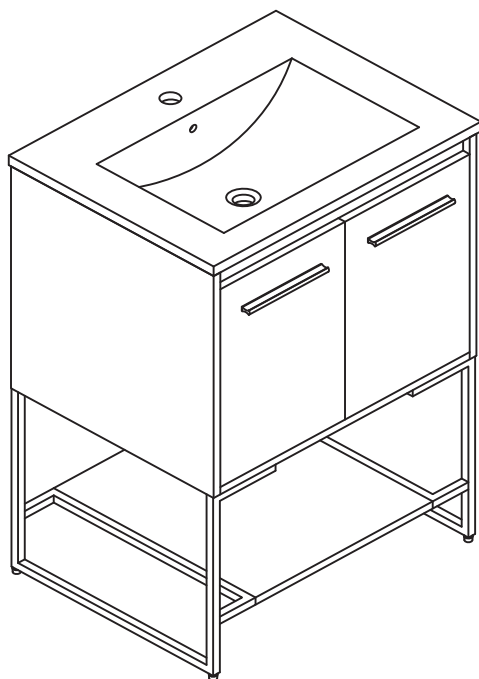


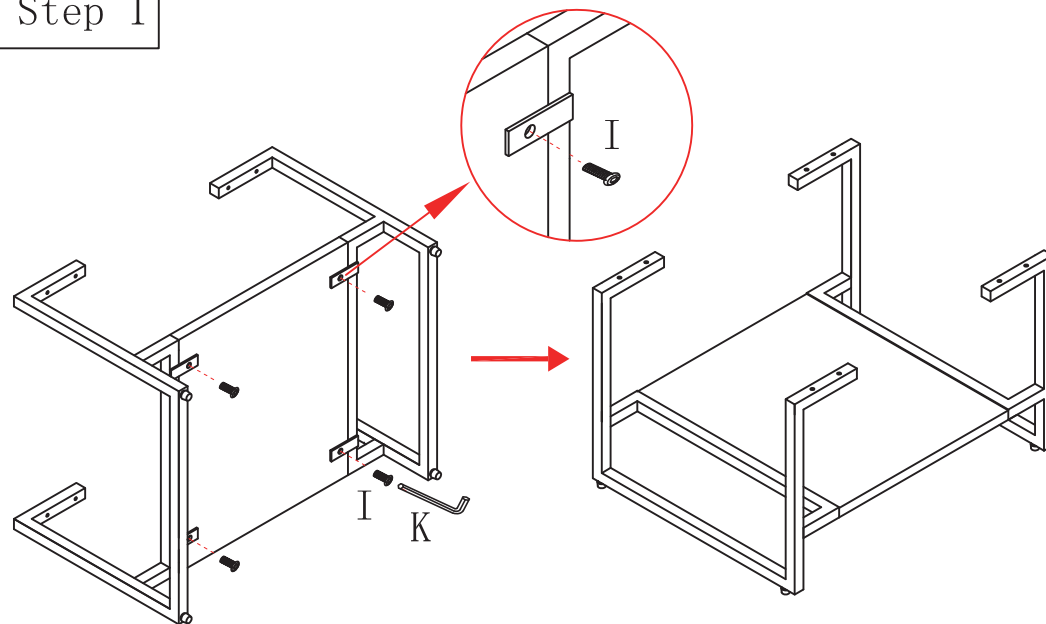


# ASSEMBLY INSTRUCTIONS

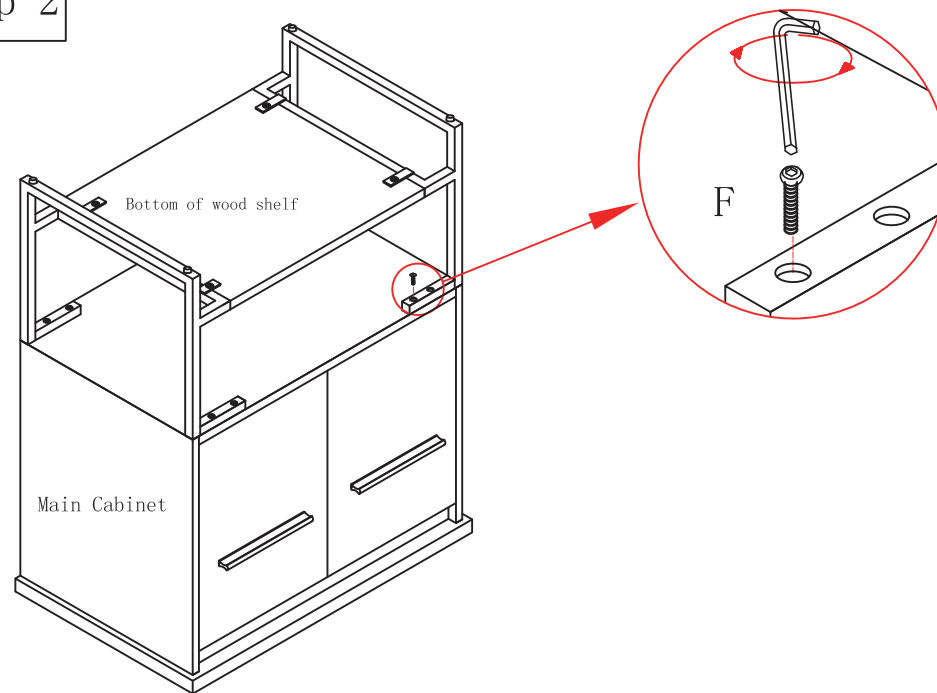
VF42536MBL / VF42536MGN / VF42536MWT  
 VF42536MTK / VF42536MMP / VF42536MWH  
 VF42536MCG



## Step 1



## Step 2

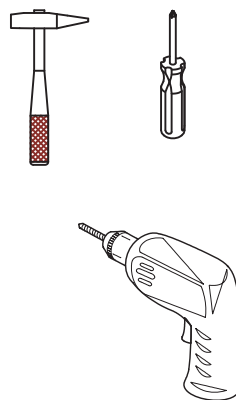


The main cabinet upside down.

## Hardware

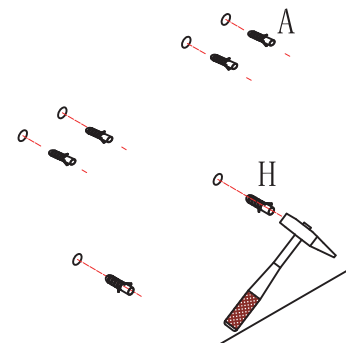
NO.	Parts	QTY	NO.	Parts	QTY
A	(M6*1.18")	4	E	(M6*2.36")	2
B		2	F	(M6*1.02")	8
C	(T4*1.38")	4	H	(M8*1.57")	2
D	(T4*0.55")	2	I	(M6*0.55")	4
			K		1

## Tools



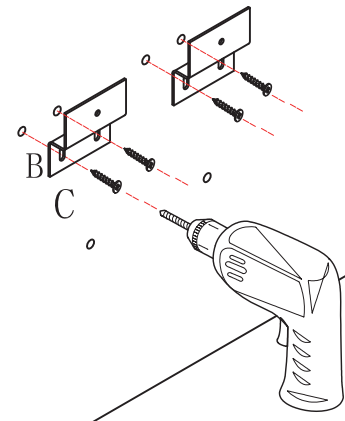
Step 3

Wall

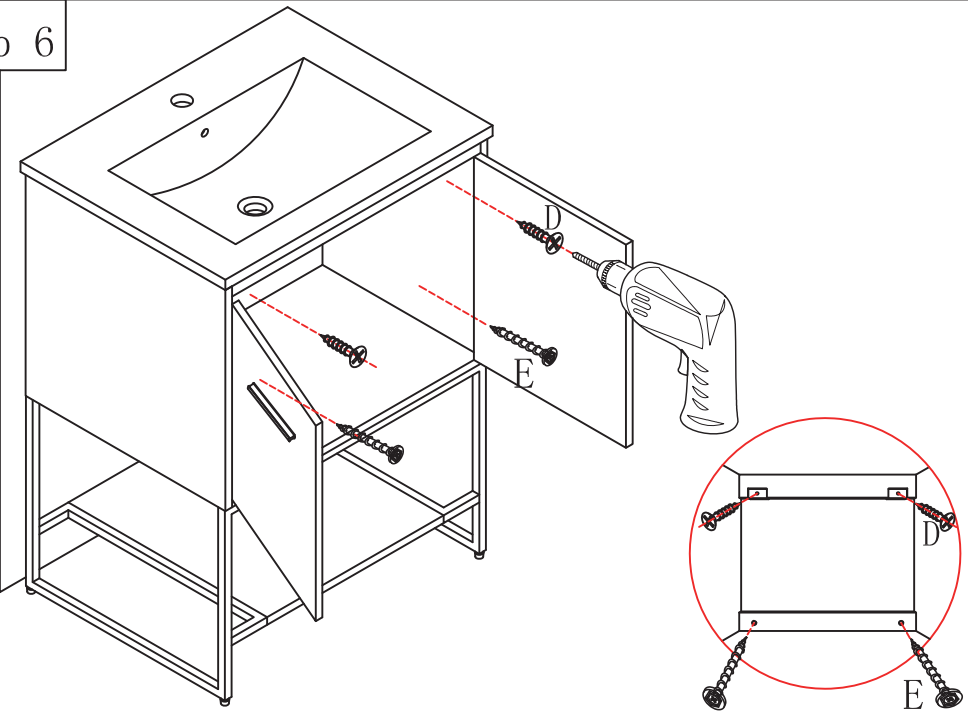


Step 4

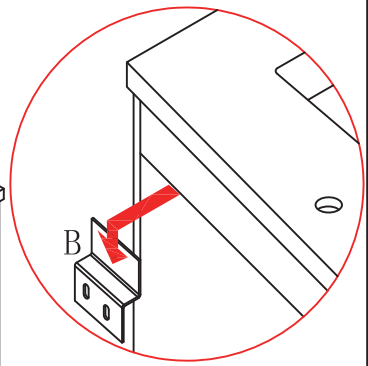
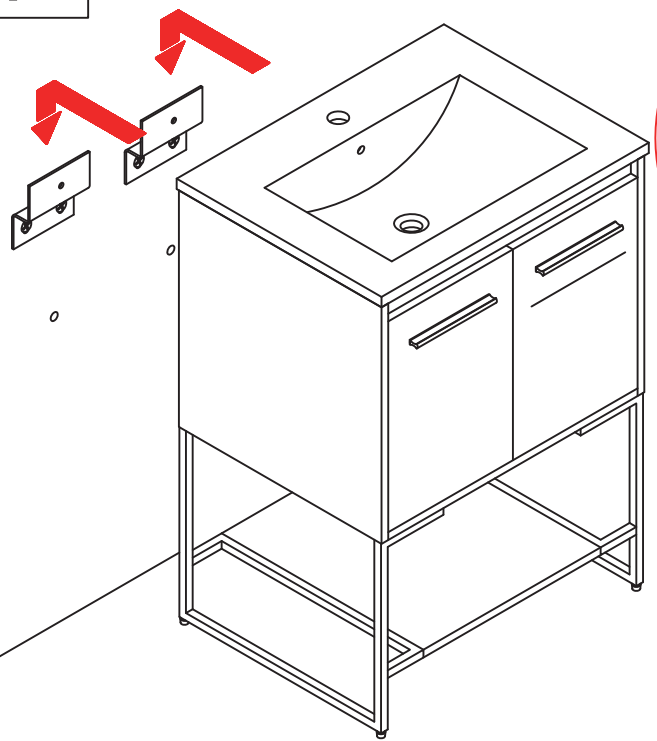
Wall



Step 6



Step 5



Finished

33.85"

